

LJ Care Australia

Shower Commode User Manual



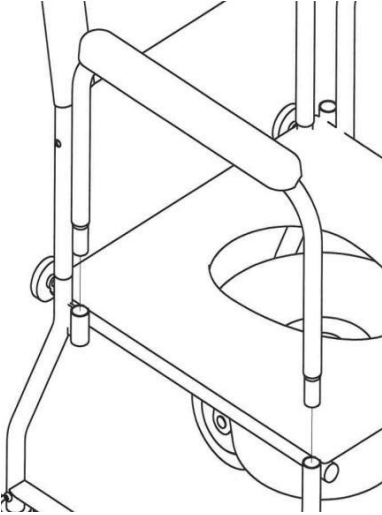
Introduction

Thank you for choosing a wheeled commode from LJ Care Australia. These instructions aid the user or carer about the safe and efficient use of this product, including assembly, cleaning, maintenance and operation of the product.

Ensure that you read these instructions fully before using the product.

The product is ideal for use to aid toileting and is also suitable as a portage chair. It comes with a bucket and lid or can be used over a conventional toilet. **It is suitable for a single user up to 165kg.**

Operating the Armrests

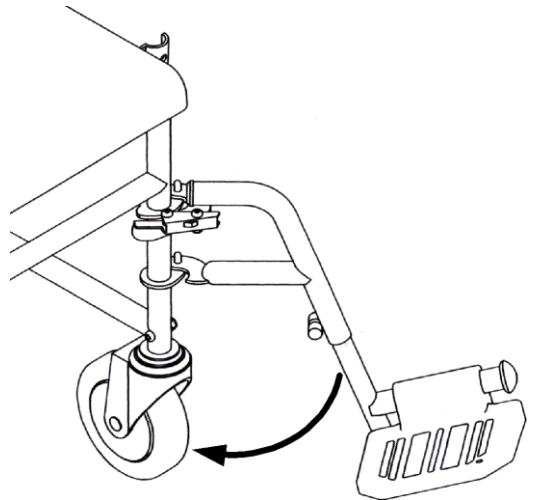


- The armrests can be removed for side transfer or added when required by the user.
- To add the armrests, place the two ends of the armrest tubing into the receivers on the frame.
- To remove the armrests, simply lift the armrests up.

Adding the Leg rests

- To add the leg rest, place the leg rest on the two posts located on the frame. Then swing the leg rest round as shown in the diagram to lock in the forward

- To swing out the leg rest, press the chrome lever whilst pushing the leg rest away. The leg rest can then be lifted to remove.

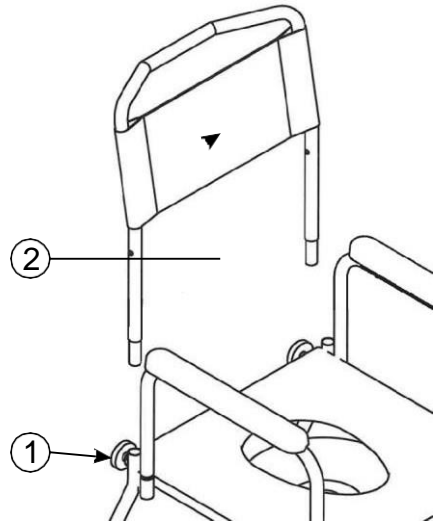


Personal Safety

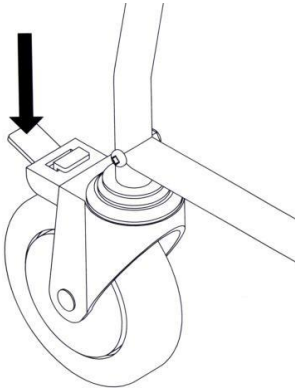
- Read the instructions carefully before use
- Check all components are secured before use
- Be careful of pinch points when rising from or lowering on to the commode, or when you are removing the bucket.
- Only use on level ground
- When stationary apply the castor brakes
- Swing away the leg rests before getting in or out of the chair. The user should always remove their feet from the leg rests before swinging the leg rest away.
- Do not lean out of the commode.
- The maximum weight limit is 165kg (26 stone)
- The product is suitable for reprocessing in accordance with the manufacturer's standards. The standards are available upon request.

Assembling the Commode Frame

- Loosen the two knobs (1) on either side of the commode by turning anticlockwise.
- Insert the backrest section (2) into the two receivers on the frame.
- Secure the backrest by tightening the two knobs (1) by turning clockwise.



Using the Castor Brakes



Press down on the lever located above the wheel to apply the castor parking brake (as shown in the diagram). To release the lock, press the protruding tab above the wheel.

Using the Bucket and Lid

The bucket and lid are accommodated underneath the plastic seat. To add the bucket, slide underneath the seat from the back of the commode. Ensure that the bucket is secure on the two rails attached to the underneath of the seat.

To remove the bucket, slide the bucket from underneath the seat. Add the lid, and carry the bucket securely using the chrome handle.

Cleaning and Maintenance

Clean regularly by hand using a damp cloth and mild detergent and disinfectant. The bucket, lid and seat should be disinfected or cleaned for each user.

Specification

Overall Height: 98cm

Overall Width: 54cm

Overall Depth: 93cm

Backrest height: 42cm

Seat Width: 44cm

Seat Depth: 46cm

Seat Height: 50cm

Arm Height: 74cm

Seat Clearance: 44cm

Bucket Capacity: 5 liters